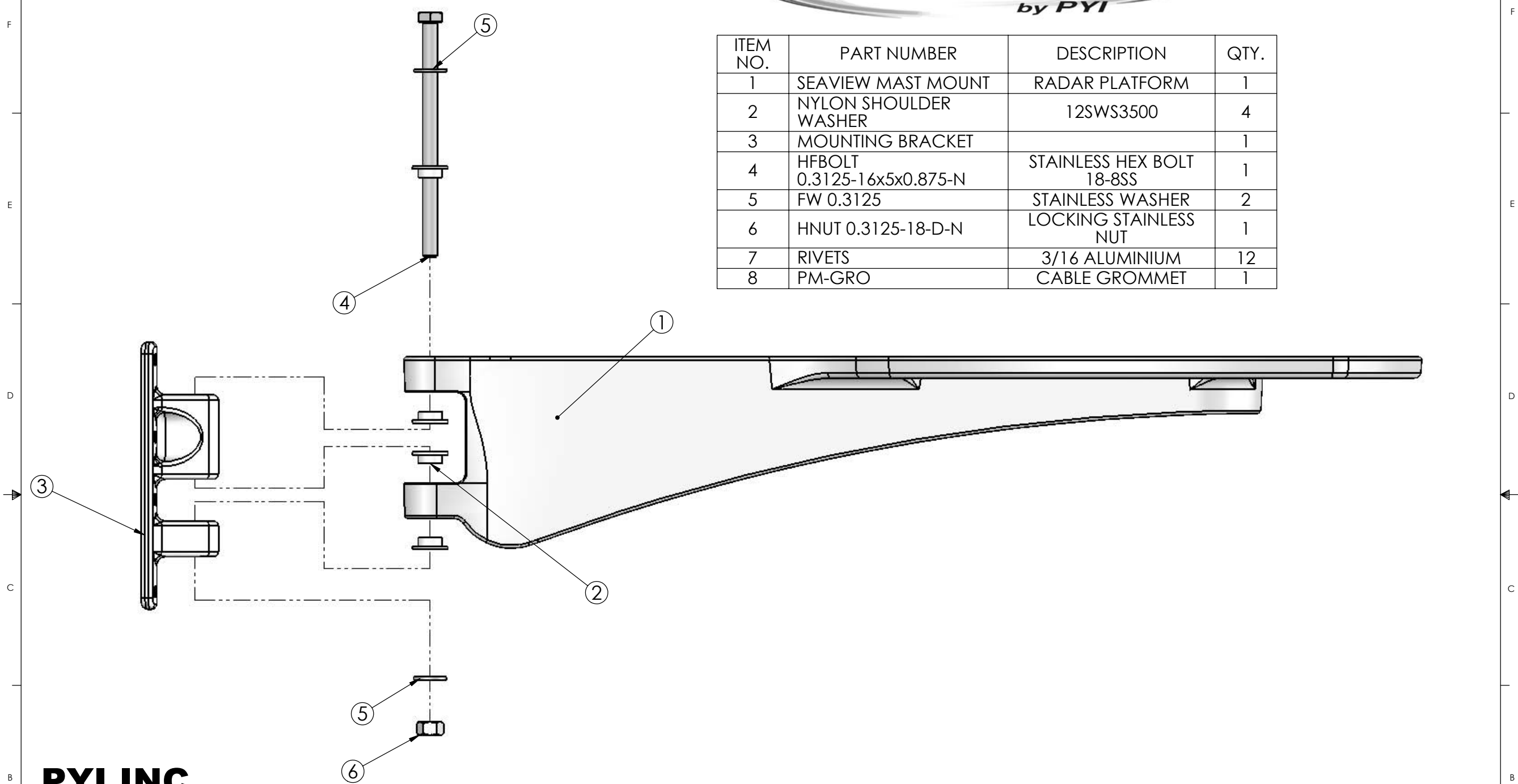




ITEM NO.	PART NUMBER	DESCRIPTION	QTY.
1	SEAVIEW MAST MOUNT	RADAR PLATFORM	1
2	NYLON SHOULDER WASHER	12SWS3500	4
3	MOUNTING BRACKET		1
4	HFBOLT 0.3125-16x5x0.875-N	STAINLESS HEX BOLT 18-8SS	1
5	FW 0.3125	STAINLESS WASHER	2
6	HNUT 0.3125-18-D-N	LOCKING STAINLESS NUT	1
7	RIVETS	3/16 ALUMINIUM	12
8	PM-GRO	CABLE GROMMET	1



PYI INC
12532 Beverly Park Road
Office (425) 355-3669
Fax (425) 355-3661
Email: info@pyiinc.com

1-800-5213-7558
www.pyiinc.com



PROPRIETARY AND CONFIDENTIAL
 THE INFORMATION CONTAINED IN THIS
 DRAWING IS THE SOLE PROPERTY OF
 PYI, INC. ANY
 REPRODUCTION IN PART OR AS A WHOLE
 WITHOUT THE WRITTEN PERMISSION OF
 PYI, INC. IS
 PROHIBITED.

		UNLESS OTHERWISE SPECIFIED:		NAME	DATE
		DIMENSIONS ARE IN INCHES		DRAWN	
		TOLERANCES:		CHECKED	
		FRACTIONAL ±		ENG APPR.	
		ANGULAR: MACH ± BEND ±		MFG APPR.	
		TWO PLACE DECIMAL ±		Q.A.	
		THREE PLACE DECIMAL ±		COMMENTS:	
		INTERPRET GEOMETRIC TOLERANCING PER:			
		MATERIAL			
		FINISH			
NEXT ASSY	USED ON				
APPLICATION		DO NOT SCALE DRAWING			
TITLE:			TYPICAL MAST MOUNT ASSY		
SIZE	DWG. NO.	REV			
C	PYI, INC.				
SCALE: 1:4	WEIGHT:	SHEET 1 OF 1			