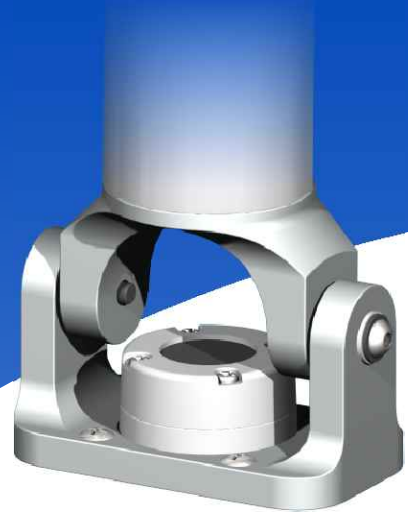


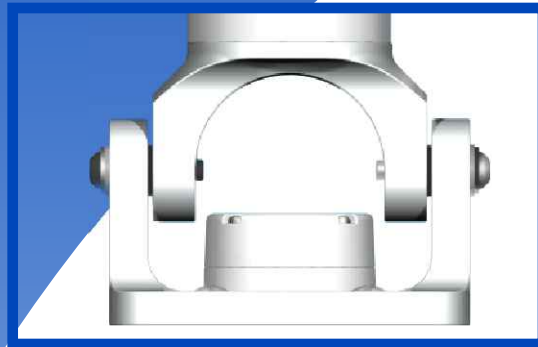


ADJUSTABLE BASE FOR MODULAR MAST SYSTEMS

SEAVIEW presents an adjustable Pole Base with an integrated water tight Deck Cable Seal. Seaview's adjustable base allows your Pole mounted Radar and Nav antennas to attach to a deck and rest in a true horizontal position. Utilizing the BLUE SEA SYSTEMS Cable Clam mounted to our base, your deck cable will have a water tight seal and a clean looking installation.



90° bend with 3" pole.



Vertical Position.



90° bend with 3" pole.

Machined Aluminum Pole Support.

Stainless 3/8 bolts attach pole support to the Base.

3" to 4" Pole. Cable runs inside pole then through cable clam.

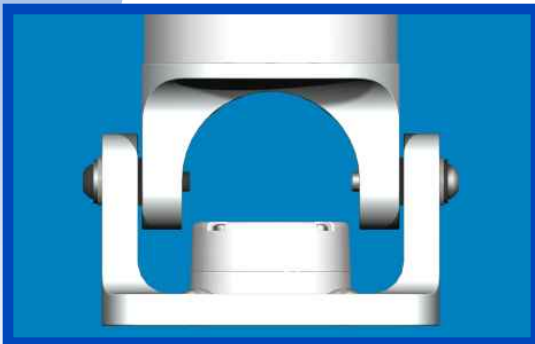
BLUE SEA SYSTEMS Cable Clam. (Maximum Cable Connector Diameter 1.396")

3" Dia Pole
RM-3AB

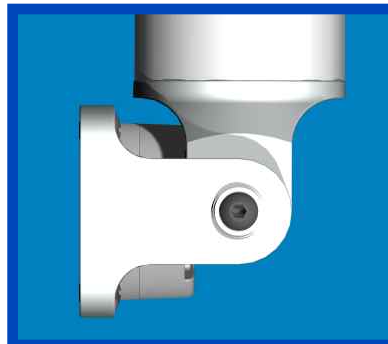
4" Dia Pole
RM-4AB



Machined Aluminum Base



Vertical Position.



90° bend with 4" pole.



12532 Beverly Park Rd
Lynnwood, WA 98087
Office (425) 355-3669
Fax (425) 355-3661
Email: Info@pyiinc.com
www.pyiinc.com
1-800-523-7558