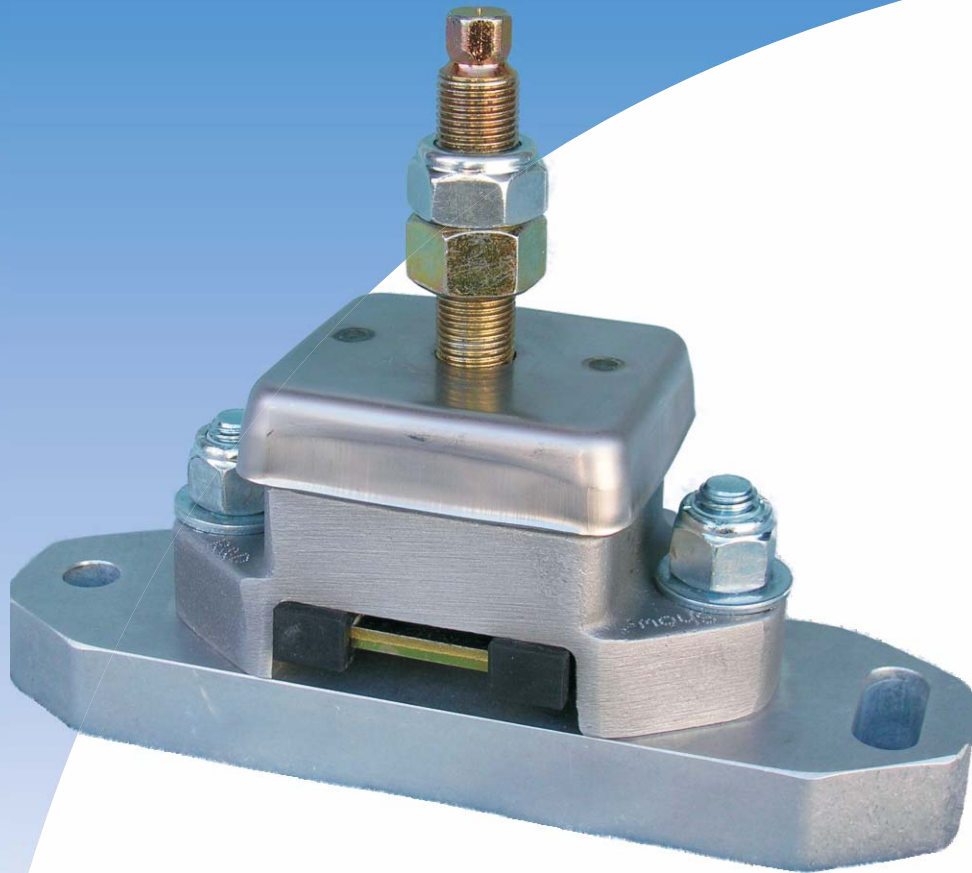


Replacement Engine Mounts For Your Yanmar Installation

PYI Inc., the U.S. Distributor for R&D Marine Ltd., offers a complete range of engine mounts for Yanmar installations. PYI Inc. has combined the proven engineered features of the R&D Marine flexible engine mounts with a simple reliable lifting block to duplicate the height and bolt spacing of the Yanmar mounts.



R&D Engine Mounts are an upgrade to conventional engine mounts:

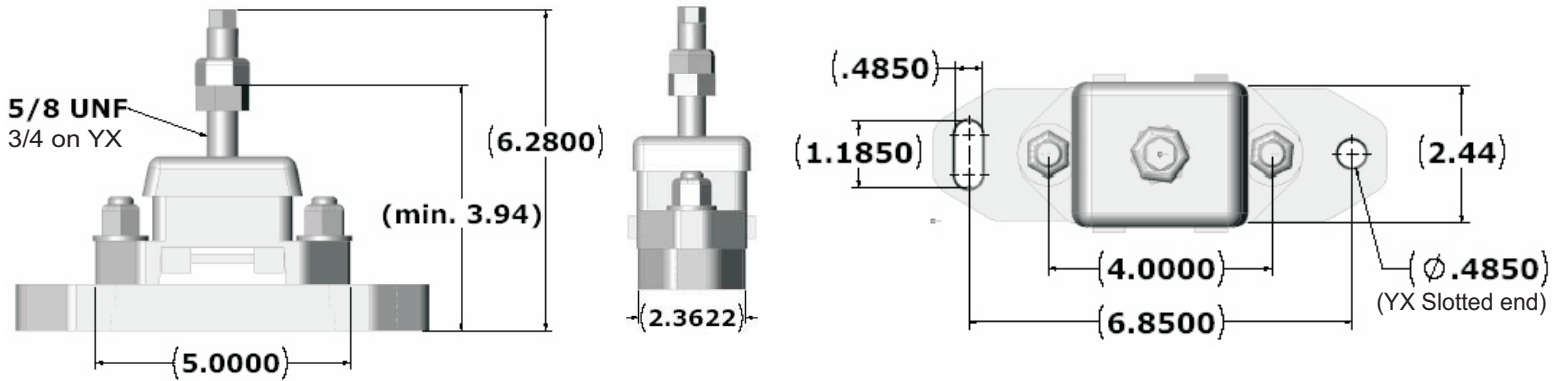
- *Preloaded and soft to eliminate the vertical dampening “dead zone” found in conventional mounts.
- *Fore and aft, variable vibration dampening is achieved with a thick rubber wedge shaped element.
- *Two stage athwartships dampening offers vibration control not available with round mounts.
- *Metal to metal connection provides security to withstand full loads in a roll over.
- *A stainless steel oil shield protects the rubber element from petroleum or chemical damage.

12532 Beverly Park Rd.
Lynnwood, WA 98087
Office (425) 355-3669
Fax (425) 355-3661



1-800-523-7558
E-mail: info@pyiinc.com
www.pyiinc.com

Technical Specifications



Engine Specifications

1GM	Front 128170-08350, Rear 128170-08340	Both 800-037Y
2 & 3GM	Front 124772-08341, Rear 128170-08340	Both 800-037Y
3YM	Both 124772-08341	Both 800-037Y
3HM	Both 124772-08341	Both 800-037Y
2QM15	Both 124772-08341	Both 800-037Y
2QM20	Both 124772-08341	Both 800-037Y
3QM30	Front 121370-08530, Rear 124772-08341	Front 800-010Y, Rear 800-037Y
3JH's	Oil filter side 124772-08341, Starter side 121370-08530	Both 800-010Y
4JH's	Oil filter side 121370-08351, Starter side 129470-08350	Front 800-010, Rear 800-011Y
4LH	Both 119173-08440	800-021YX
6LP		Call to confirm
6LY & 6CX		Call to confirm

Price List

PYI Part #	Weight Range	F&A Deflection	Price
800-037Y	50-170	.09 - 021	\$130.00
800-010Y	80-230	.09 - 021	\$130.00
800-011Y	120-410	.09 - 021	\$130.00
800-012Y	250-560	.09 - 021	\$130.00
800-014Y	300-680	.09 - 021	\$130.00
800-021YX	120-410	.09 - 021	\$146.00
800-YM2	Spacing block only (7/8" height)		\$45.00