



**QUALITY MARINE  
EQUIPMENT SINCE 1981**

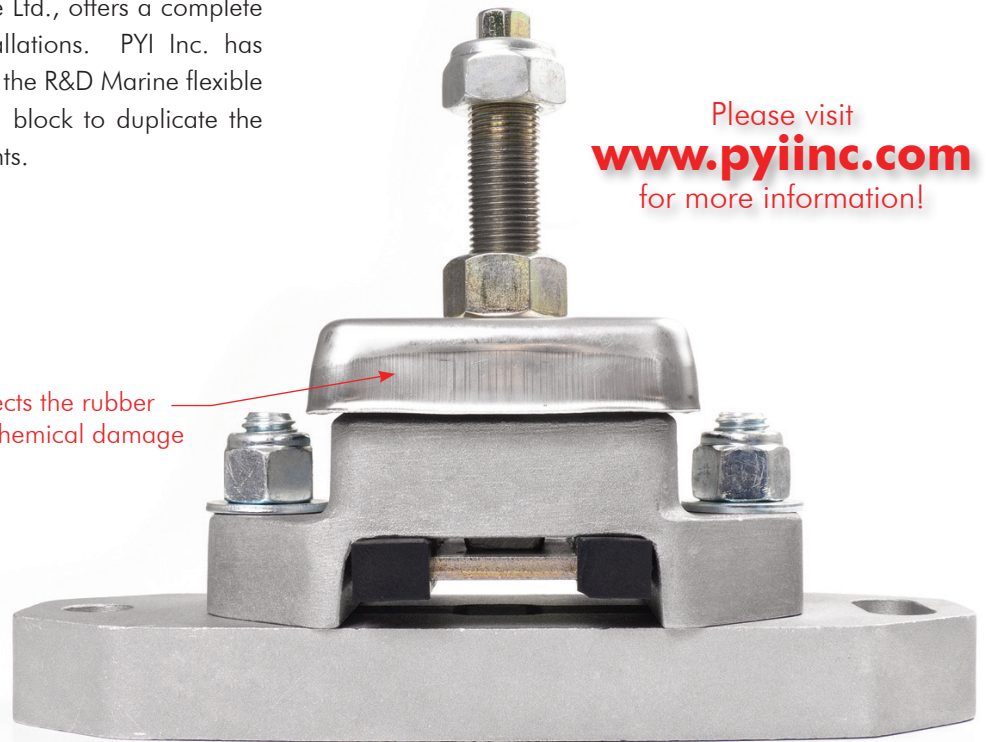


## 2017 Yanmar Engine Mounts Price List

PYI Inc., the U.S. Distributor for R&D Marine Ltd., offers a complete range of engine mounts for Yanmar installations. PYI Inc. has combined the proven engineered features of the R&D Marine flexible engine mounts with a simple reliable lifting block to duplicate the height and bolt spacing of the Yanmar mounts.

Please visit  
[www.pyiinc.com](http://www.pyiinc.com)  
for more information!

Stainless steel oil shield protects the rubber element from petroleum or chemical damage



### **R&D engine mounts are an upgrade to conventional engine mounts!**

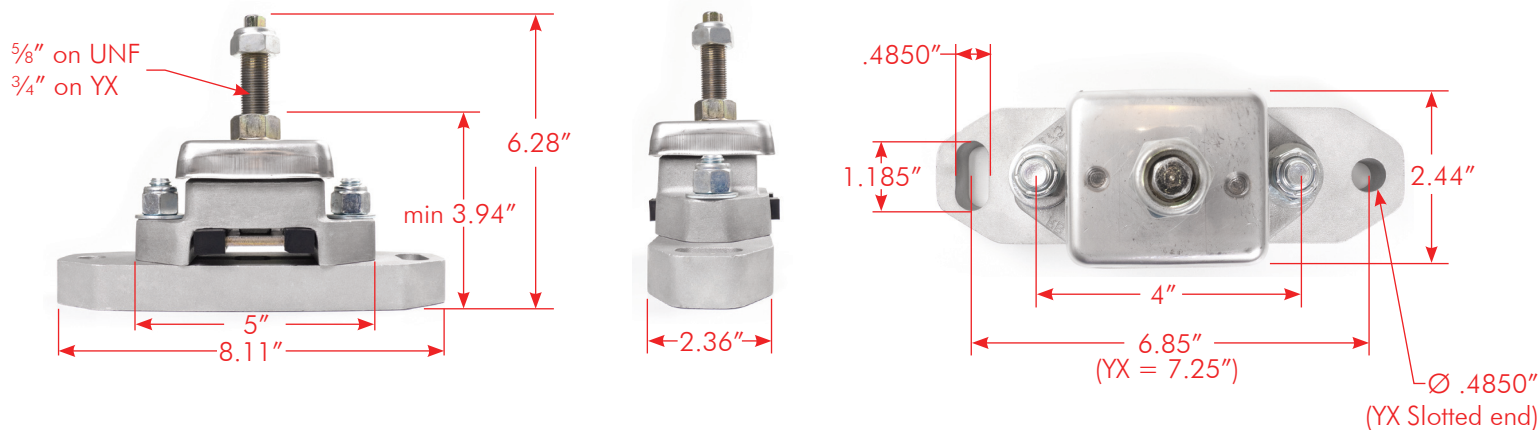
- Preloaded and soft to eliminate the vertical dampening "dead zone" found in conventional mounts.
- Two stage athwartships dampening offers vibration control not available with round compression mounts.
- Metal to metal connection provides security to withstand full loads in a roll over.



Cutaway side view.

Technical specs and pricing located on the back

# TECHNICAL SPECIFICATIONS



## PRICE LIST

- 1** Locate your Yanmar engine
- 2** Locate your Yanmar reference #
- 3** Find your PYI part #

YANMAR ENGINE	YANMAR REFERENCE	PYI PART #
<b>1GM</b>	Front 128170-08350 / Rear 128170-08340	Both 800-037Y
<b>2GM &amp; 3GM</b>	Front 124772-08341 / Rear 12810-08340	Both 800-037Y
<b>3YM</b>	Both 124772-08341	Both 800-037Y
<b>3HM</b>	Both 124772-08341	Both 800-037Y
<b>2QM15</b>	Both 124772-08341	Both 800-037Y
<b>2QM20</b>	Both 124772-08341	Both 800-037Y
<b>3QM30</b>	Front 121370-08530 / Rear 124772-08341	Both 800-037Y
<b>3JH's</b>	Oil filter side 124772-08341 / Starter side 121370-08530	Both 800-037Y
<b>4JH'S</b>	Oil filter side 121370-08351 / Starter side 129470-08350	Oil filter side 800-010Y Starter side 800-011Y
<b>4LH</b>	Both 119173-08440	800-021YX

PYI PART #	CAPACITY PER MOUNT	STUD SIZE	F&A DEFLECTION	PRICE
<b>800-037Y</b>	50 - 175 lbs	5/8"	.09 - .021	<b>\$155.00</b>
<b>800-010Y</b>	80 - 230 lbs	5/8"	.09 - .021	<b>\$155.00</b>
<b>800-011Y</b>	120 - 410 lbs	5/8"	.09 - .021	<b>\$155.00</b>
<b>800-021YX</b>	120 - 410 lbs	3/4"	.09 - .021	<b>\$165.00</b>
<b>800-YM2</b>	Spacing block only (.90" height / 6.85")			<b>\$54.00</b>
<b>800-YM2S</b>	Spacing block only - Slotted (.90" height / 7.25")			<b>\$58.00</b>



- 4** Once you've found the correct part number locate the engine mount price

