



**QUALITY MARINE
EQUIPMENT SINCE 1981**

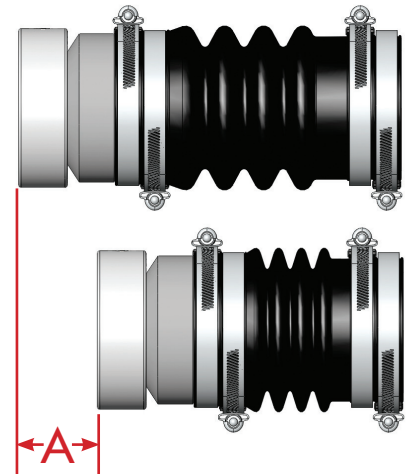
**PACKLESS SEALING SYSTEM
SHAFT SEAL**

**2017 PSS SHAFT SEAL
PRICE LIST**

TYPE A SEAL

Shaft Diameters 3/4" - 3 3/4" (20mm-95mm)

Shaft Diameters	Stern Tube Diameters*	Retail Price	Recommended Initial Compression (A)
	Oversized (O.S.)**		
3/4", 7/8" 20mm, 22mm	1 1/4", 1 1/2", 1 3/4" , 2", 2 1/4"	\$285.00	3/4"
	O.S. (2 1/2")	\$310.00	
1", 1 1/8" 25mm, 28mm, 30mm	1 1/4", 1 1/2", 1 3/4" , 2", 2 1/4"	\$295.00	
	O.S. (2 1/2")	\$325.00	
1 1/4", 1 3/8" 32mm, 35mm	1 3/4", 2" , 2 1/4", 2 1/2"	\$340.00	3/4"
	O.S. (2 3/4", 3" , 3 1/4", 3 1/2")	\$370.00	
1 1/2", 1 5/16" 38mm, 40mm	2", 2 1/4", 2 1/2" , 2 3/4", 3" , 3 1/4", 3 1/2"	\$450.00	1"
	O.S. (3 3/4" , 4")	\$525.00	
1 3/4" 45mm	2 1/4", 2 1/2" , 2 3/4", 3" , 3 1/4", 3 1/2"	\$490.00	
	O.S. (3 3/4" , 4")	\$575.00	
2" 50mm, 55mm	2 1/2" , 2 3/4", 3" , 3 1/4", 3 1/2"	\$575.00	
	O.S. (3 3/4" , 4")	\$655.00	
2 1/4", 2 1/2" 60mm, 65mm	3 1/4", 3 1/2" , 3 3/4" , 4"	\$655.00	1"
	O.S. (4 1/4", 4 1/2" , 4 3/4", 5")	\$740.00	
2 3/4" 70mm	4", 4 1/4", 4 1/2" , 4 3/4", 5"	\$830.00	1"
	O.S. (5 1/4" , 5 1/2", 5 3/4", 6")	\$1,055.00	
3" 75mm, 80mm	4", 4 1/4", 4 1/2" , 4 3/4", 5"	\$940.00	
	O.S. (5 1/4" , 5 1/2", 5 3/4", 6")	\$1,175.00	
3 1/4", 3 1/2" 85mm, 90mm	4 1/2", 4 3/4", 5", 5 1/4" , 5 1/2", 5 3/4", 6"	\$1,620.00	1"
	O.S. (6 1/4", 6 1/2", 6 3/4", 7")	\$2,385.00	
3 3/8", 3 3/4" 95mm	4 1/2", 4 3/4", 5", 5 1/4" , 5 1/2", 5 3/4", 6"	\$1,785.00	
	O.S. (6 1/4", 6 1/2", 6 3/4", 7")	\$2,560.00	



See shaftseal.com for complete dimensions

T-Adapter Kits

T-Adapter Kits to plumb water to the PSS Shaft Seal. Available for 3/4", 1", 1 1/4" and 1 1/2" hose (inside diameter).



Hose (ID)	Retail
3/4", 1", 1 1/4"	\$48.50
1 1/2"	\$53.50

Prices effective January 1st 2017 and subject to change without notice.

Dimensions with a **BOLD** number means no reducer is used.

* When ordering please supply shaft and stern tube diameter.

** Requires larger bellow and carbon cuff reducer.

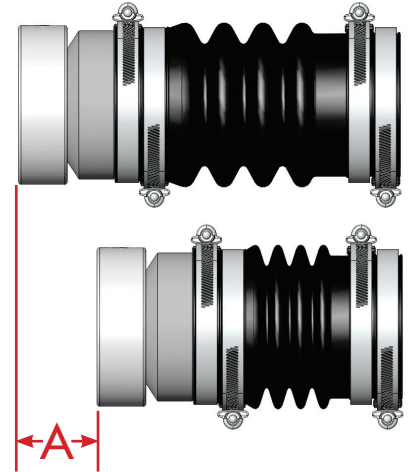


QUALITY MARINE EQUIPMENT SINCE 1981

TYPE B SEAL

Shaft Diameters 4" - 6" (100mm-150mm)

Shaft Diameters	Stern Tube Diameters*	Retail Price	Recommended Initial Compression (A)
100mm, 4"	6", 7"	\$4,500.00	1" - 1 1/4"
105mm, 4 1/4", 110mm	6", 7"	\$4,750.00	
4 1/2", 115mm	6", 7"	\$5,000.00	
120mm, 4 3/4"	7", 8", 8 5/8"	\$5,250.00	1" - 1 1/4"
125mm, 5", 130mm, 5 1/4"	7", 8", 8 5/8"	\$5,500.00	
5 1/2", 140mm	7", 8", 8 5/8"	\$6,000.00	
150mm, 6"	7", 8", 8 5/8"	\$6,500.00	



Dimensions with a **BOLD** number means no reducer is used.
 * When ordering please supply shaft and stern tube diameter.
 ** Requires larger bellow and carbon cuff reducer.

PSS MAINTENANCE KITS

Shaft Diameters 3/4" - 2" (20mm-50mm)

Shaft Diameters*	Stern Tube Diameters	Retail Price
	Oversized (O.S.)**	
3/4", 7/8" 20mm, 22mm	1 1/4", 1 1/2", 1 3/4" , 2", 2 1/4"	\$87.00
	O.S. (2 1/2")	\$112.00
1", 1 1/8" 25mm, 28mm, 30mm	1 1/4", 1 1/2", 1 3/4" , 2", 2 1/4"	\$87.00
	O.S. (2 1/2")	\$112.00
1 1/4", 1 3/8" 32mm, 35mm	1 3/4", 2" , 2 1/4", 2 1/2"	\$112.00
	O.S. (2 3/4", 3" , 3 1/4", 3 1/2")	\$143.00
1 1/2", 1 5/8" 38mm, 40mm	2", 2 1/4", 2 1/2" , 2 3/4", 3" , 3 1/4", 3 1/2"	\$143.00
	O.S. (3 3/4" , 4")	\$205.00
1 3/4" 45mm	2 1/4", 2 1/2" , 2 3/4", 3" , 3 1/4", 3 1/2"	\$143.00
	O.S. (3 3/4" , 4")	\$205.00
2" 50mm, 55mm	2 1/2" , 2 3/4", 3" , 3 1/4", 3 1/2"	\$143.00
	O.S. (3 3/4" , 4")	\$205.00



The PSS Maintenance Kit comes with a bellow, two o-rings, five set screws, four hose clamps, a allen wrench and four Clamp Jackets.

Necessary information when ordering:

Shaft Size: _____
 Stern Tube (O.D.): _____

Example:

1 1/2" Shaft, 2 1/2" Tube = **07-112-212R**

*Larger size maintenance kits available for Type A & Type B.